

Food perfectly presented

BEER⁺

BEER FOOD TROLLEY

Flexibility in food distribution



Essential assistant in the mobile food distribution

The BEER Food Trolley has been specially developed for the quick and easy transport and presentation of food. The well thought-out design of the trolley enables dishes to be presented perfect at any location.

With the 3 individually selectable climate types: warm & dry, neutral or with crushed ice, the freshness of your food is ensured and the strict requirements in the food sector are met. The 2-section warming cabinet in the base is controlled separately and designed for a capacity of 4 GN1/1 trays (H: 75 mm) per cabinet.

The BEER Food Trolley offers you the choice of either a serviced or self-service version. Thanks to its special castors and the option of locking the front and rear axles, it is very dynamic and extremely easy to handle. The optional electronic starting aid provides additional comfort. The BEER Food Trolley also has a power socket directly on the trolley, ideal for a plate warmer.

Your benefits

- ❑ Maximum shelf life and optimum product quality of the food thanks to individually selectable climate types: warm & dry, neutral or with crushed ice
- ❑ Optimal presentation of the food
- ❑ Easy handling
- ❑ Quick changeover from serviced to self-service
- ❑ High flexibility
- ❑ All-round collision protection
- ❑ 2 independently controllable heating cabinets, on request as neutral or coolable with elements
- ❑ Special castors for easy turning
- ❑ Lockable front/rear axle
- ❑ 230 V type 13 socket for plate warmer directly on the trolley
- ❑ With EasySlide for easy insertion of the GN trays
- ❑ Optionally with electronic starting aid





BEER FOOD TROLLEY

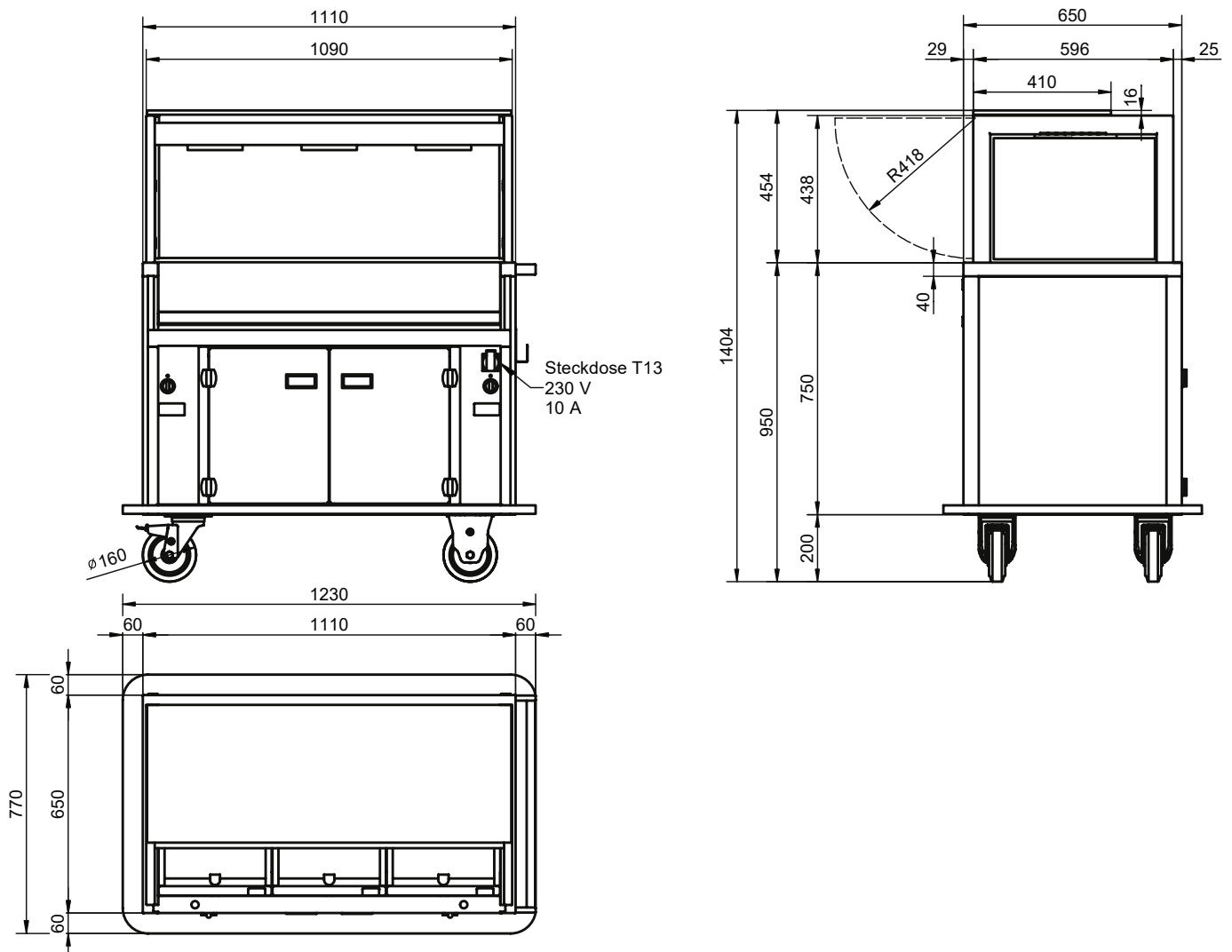
Flexibility in food distribution

Technical data

BEER Food Trolley – mobile model

Size	Dimensions* mm (W x D x H)	Voltage	Power without heating cabinet	Power with 1 heating cabinet	Power with 2 heating cabinets	Max. rated current	Plug
GN 3/1	1230 x 770 x 1404	400 V	4600 W	5200 W	5800 W	10.0A	Type 15/ CEE16

*Dimensions incl. collision protection



Food perfectly presented

BEER

Beer Grill AG

Allmendstrasse 7
CH-5612 Villmergen

Phone +41 (0)56 618 78 00
Fax +41 (0)56 618 78 49

Beer Grill GmbH

Körnerstrasse 14a
D-79539 Lörrach

Phone +49 (0)7161 659 876
Fax +49 (0)7161 659 879

info@beergrill.com
www.beergrill.com