



NEW
IN OUR
COLLECTION



Uno Wall

Uno Wall – the compact self-service display unit for wall positioning

Professional food presentation

Uno Wall is the newest device from the production lines of Beer Grill. This display unit combines innovative design with sophisticated technology. The result is a compact self-service display unit which was explicitly designed for the "wall position". Thanks to the four climate zones per GN area, it can be used perfectly and flexibly throughout the day for different food offerings.

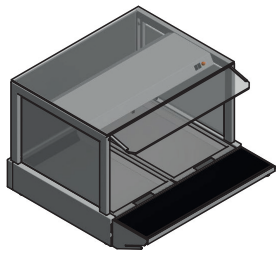
Using a rotary switch, the temperatures can be set individually for each GN unit. Whether it is bakery products, deep-fried or breaded products, meat, vegetables, pasta and much more – the manual control with separately adjustable bottom- and top heat, as well as the LED light, allow you to keep your food fresh for as long as possible and to present it looking its best at any time of day.

Further advantages

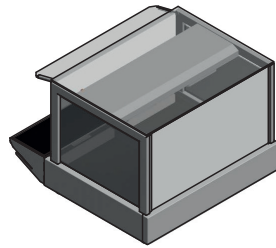
- ❑ 4 climate zones per GN field for different types of food: Hot-dry, hot-steamy, neutral or cold with crushed ice
- ❑ Specially developed for wall positioning
- ❑ Flexible integration into your all-day concept
- ❑ Individually controlled top heat and heat from below for each GN field
- ❑ Innovative design and intelligent technology
- ❑ Large variety of inserts for flexible adaption to varying food selections
- ❑ Compact display case for even the smallest display spaces
- ❑ Optional water refill prompting incl. buzzer
- ❑ Optionally available with paint colour finish to match your colour concept
- ❑ **Now** also available as GN 3/1-40



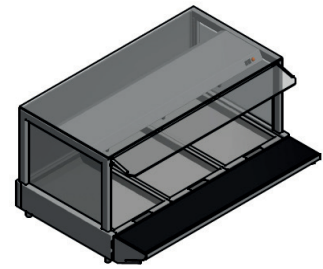
Uno Wall



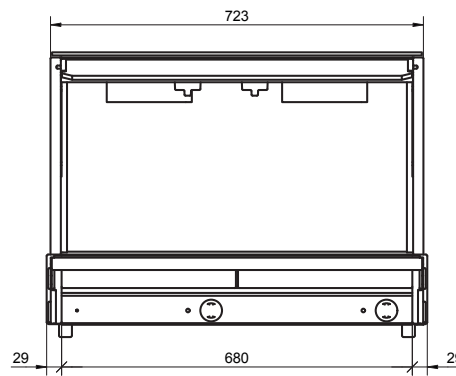
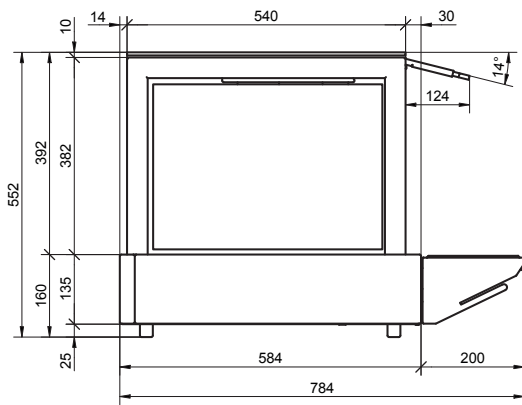
GN 2/1-40, customer side



GN 2/1-40, fixed rear panel with mirror



GN 3/1-40, customer side



Technical specifications

Models	Inserts of	Dimensions W x D x H (mm)	Electrical connection	Max. nominal current	Electrical power	Plug
GN 2/1-40	GN inserts to max. depth of 40 mm	738 x 784* x 552	230 V	8.7 A	2,0	Typ 12 / Schuko
GN 3/1-40	GN inserts to max. depth of 40 mm	1078 x 784* x 552	400 / 230 V	9.1 / 13.2 A	3,0	Typ 15 / 23 or Schuko

* Dimensions including cutting board device

Food perfectly presented **BEER**

Beer Grill AG
Allmendstraße 7
CH-5612 Villmergen

Tel. +41 (0)56 618 7800
Fax +41 (0)56 618 7849

Beer Grill GmbH
Körnerstrasse 14a
D-79539 Lörrach

Tel. +49 (0)7161 659 876
Fax +49 (0)7161 659 879

info@beergrill.com
www.beergrill.com